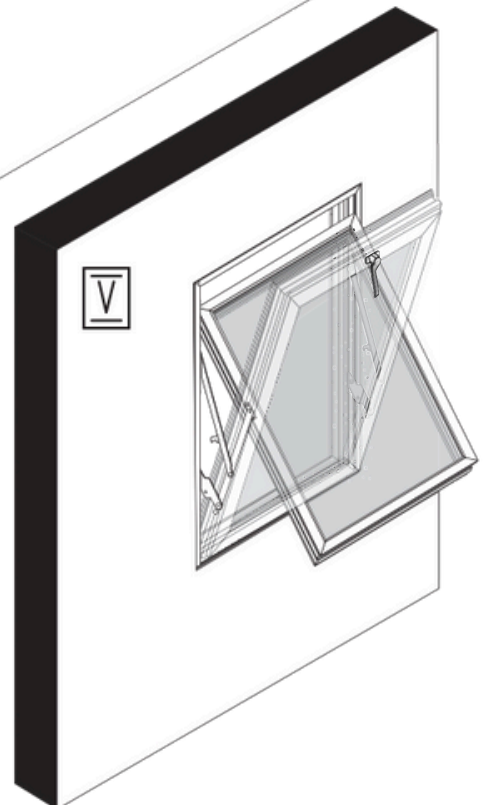
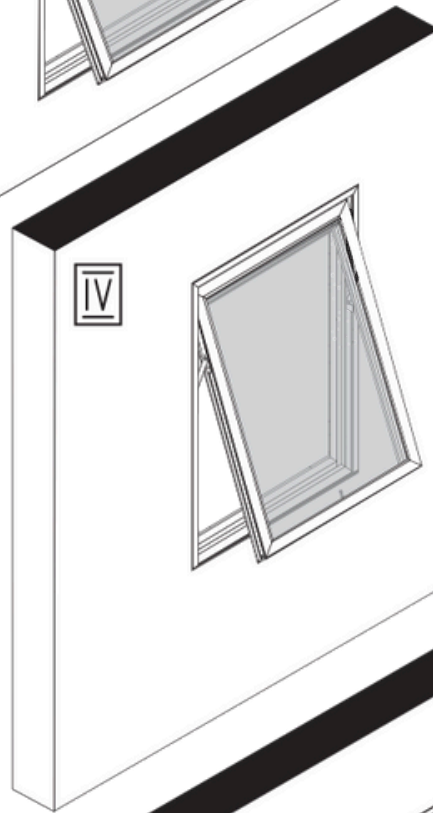
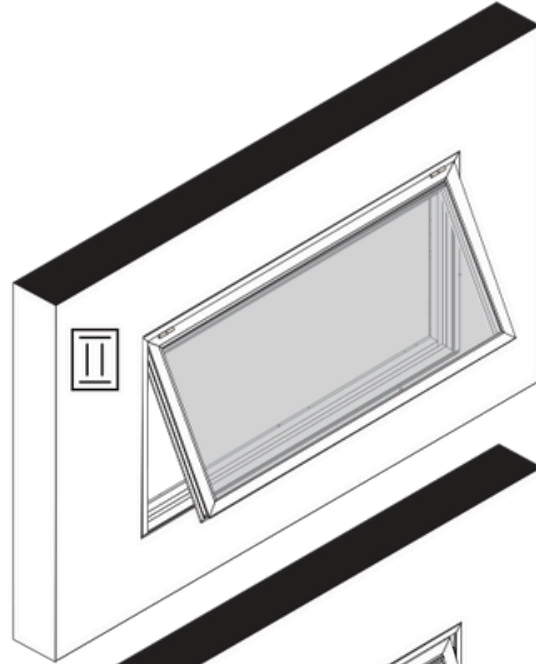
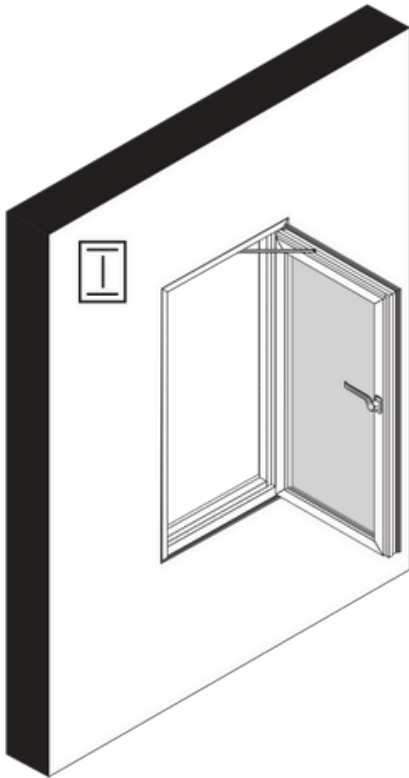


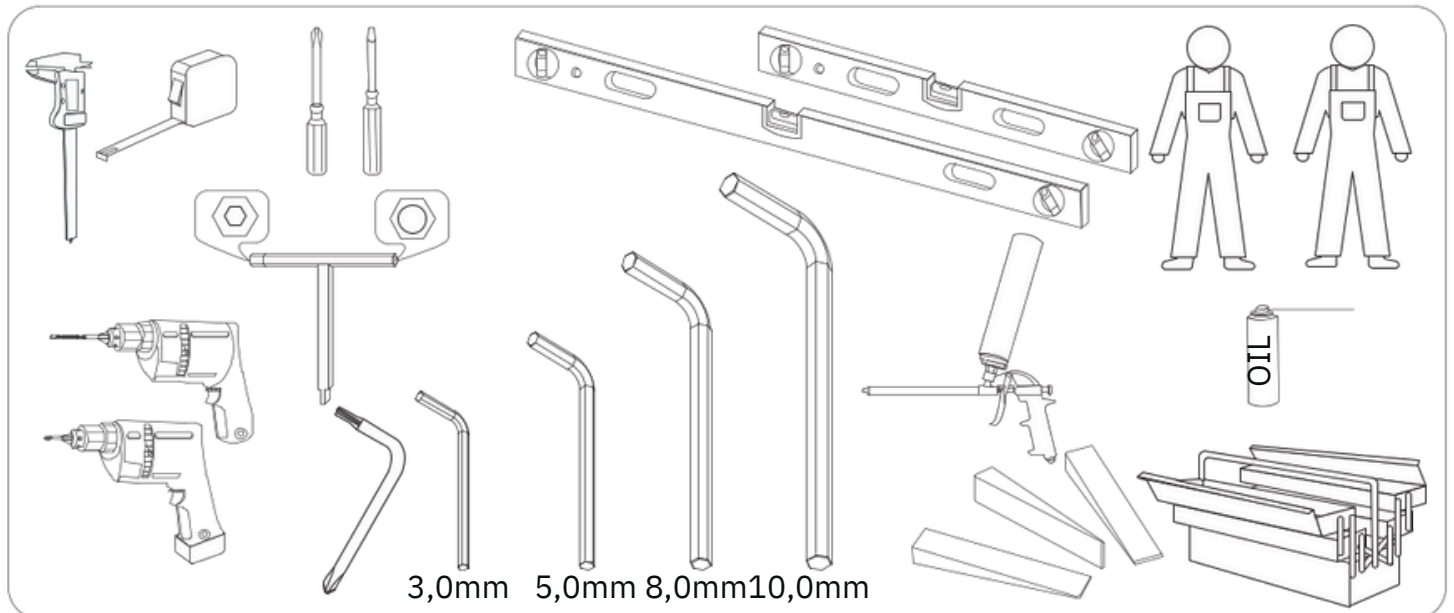
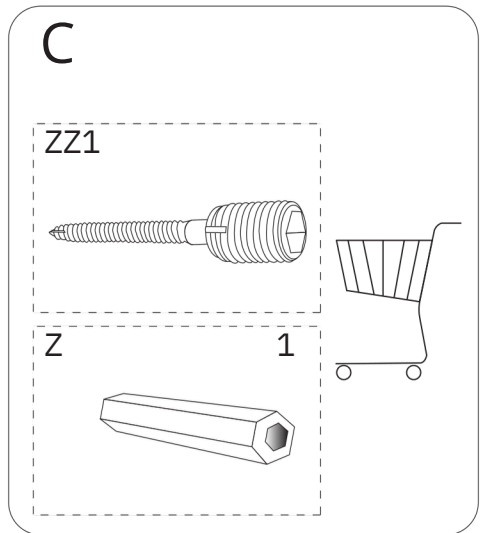
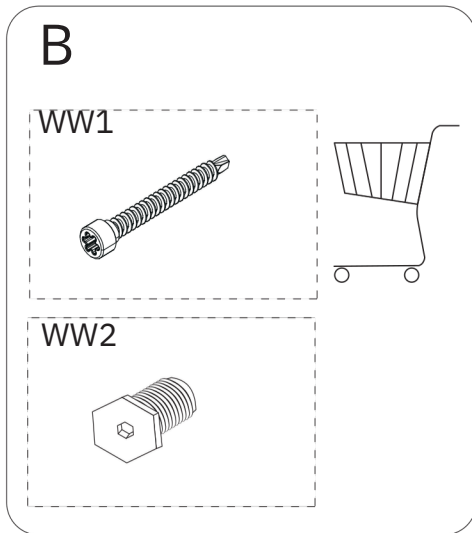
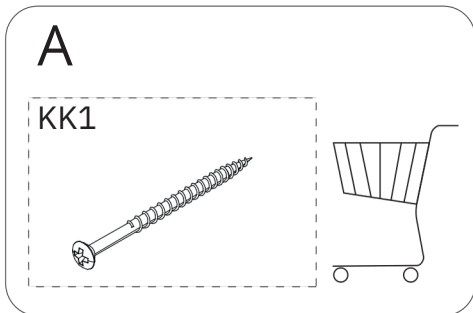
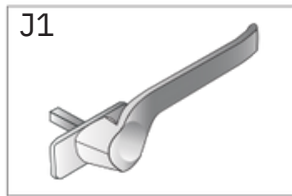
VHE VHSAL

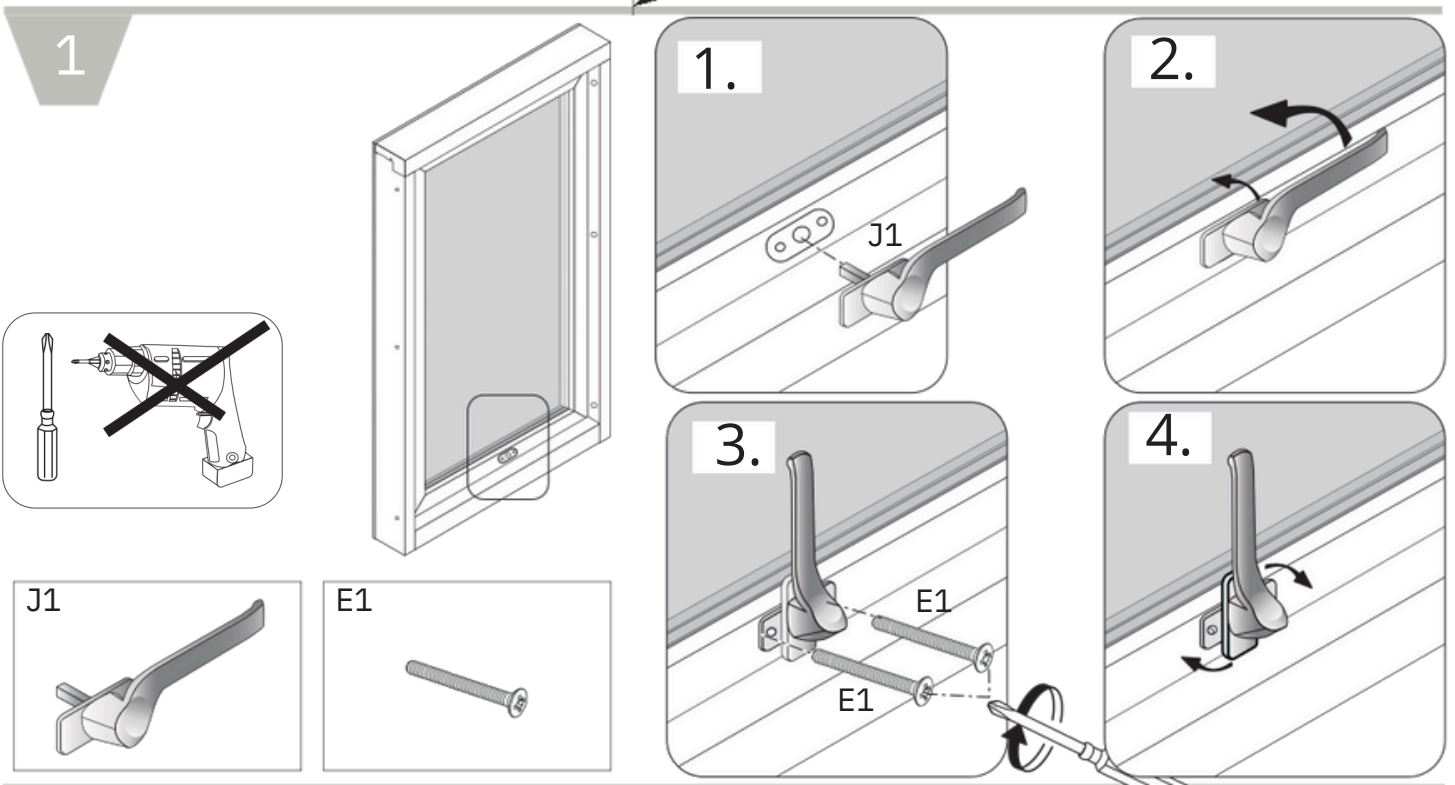
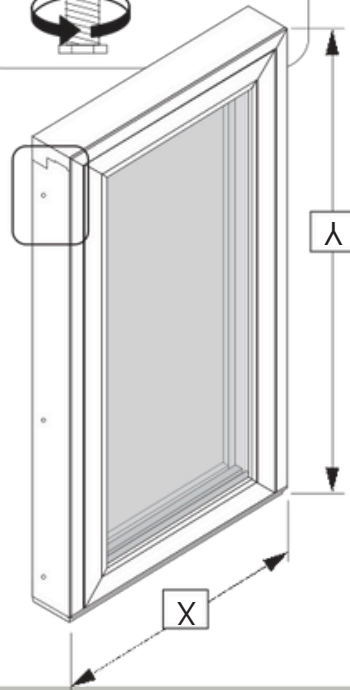
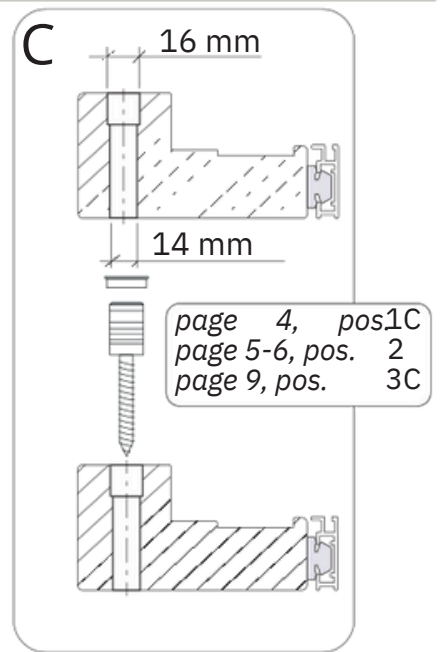
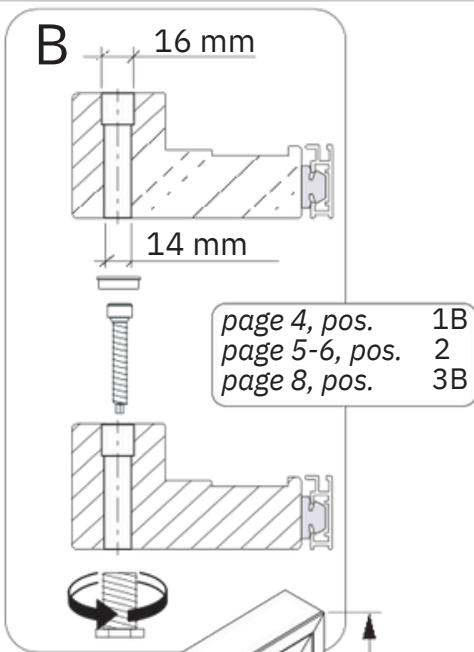
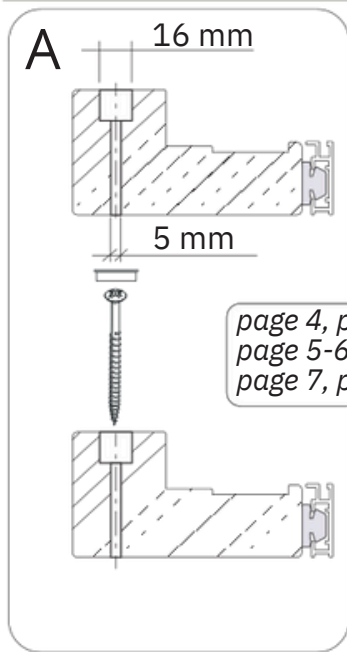


SVEAFÖNSTER

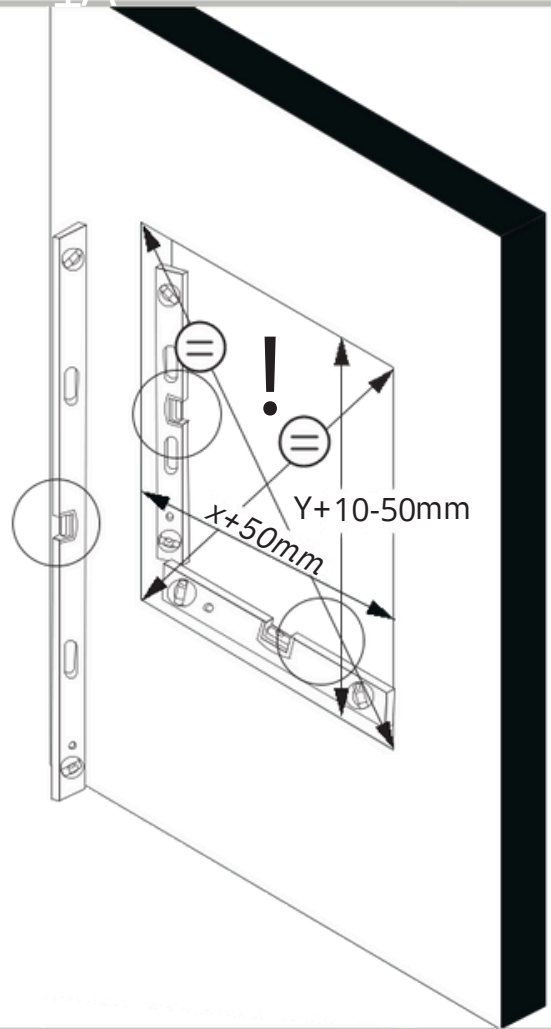
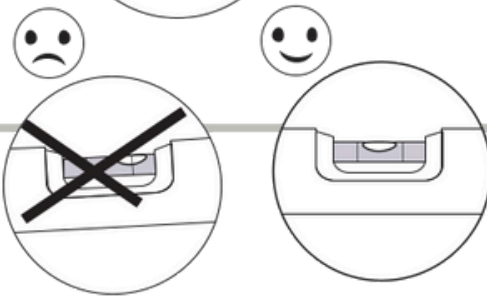
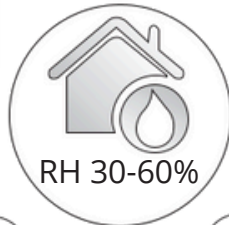
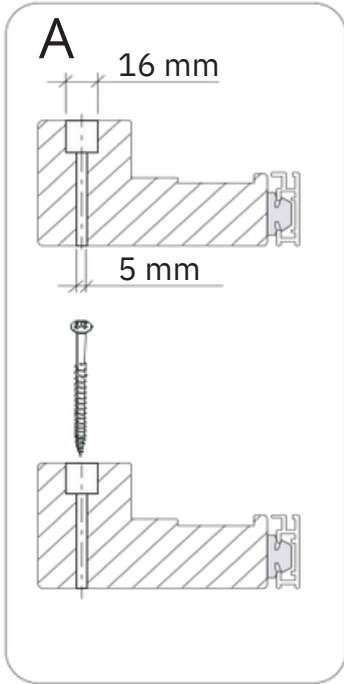


20220907



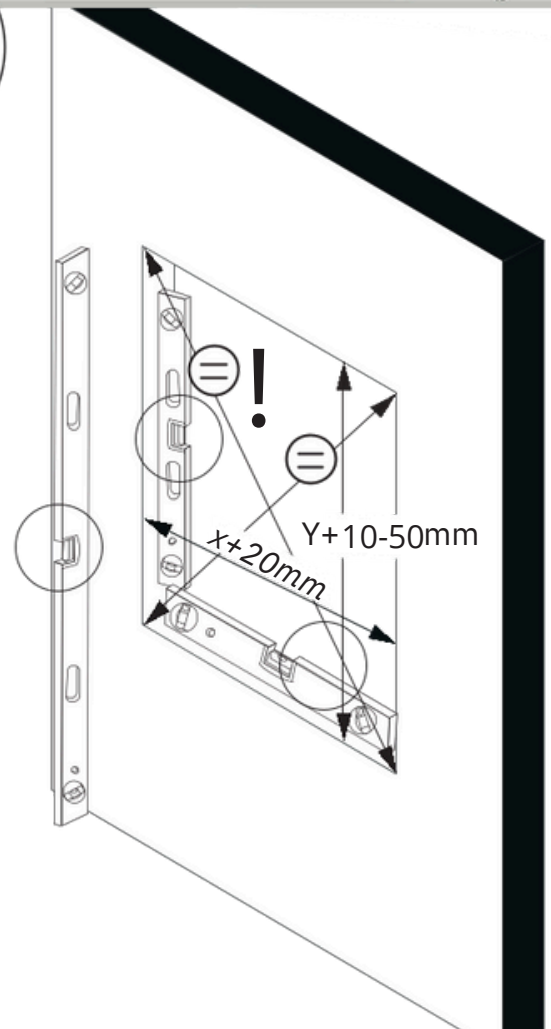
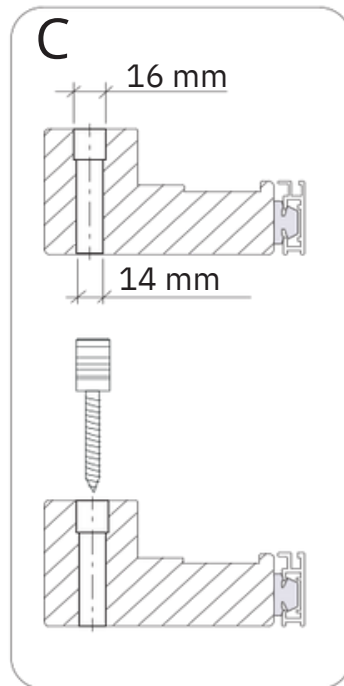
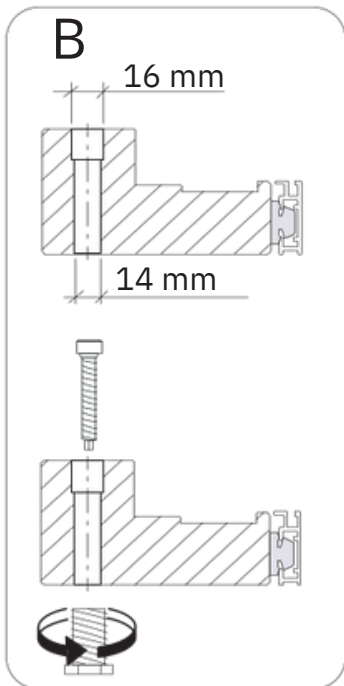


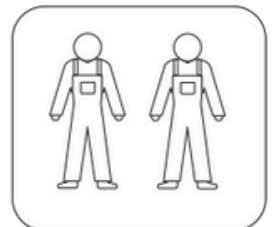
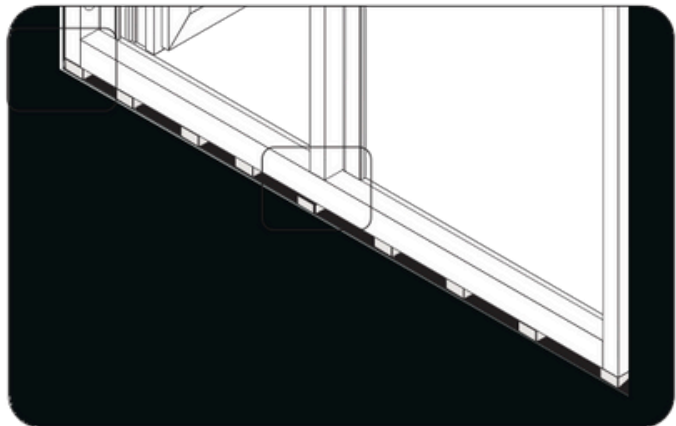
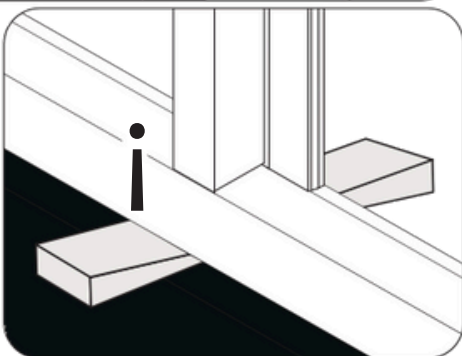
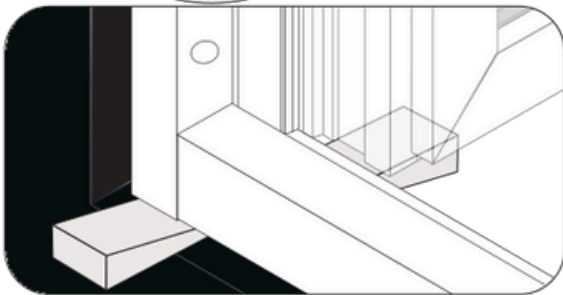
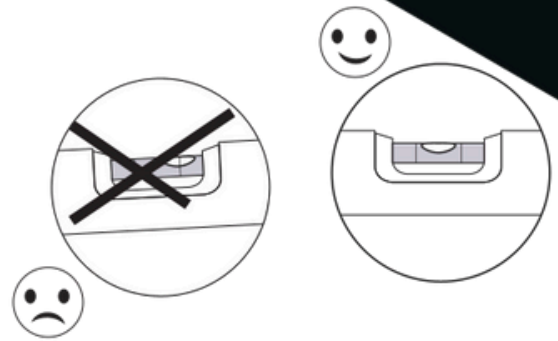
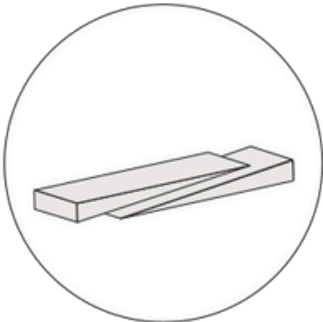
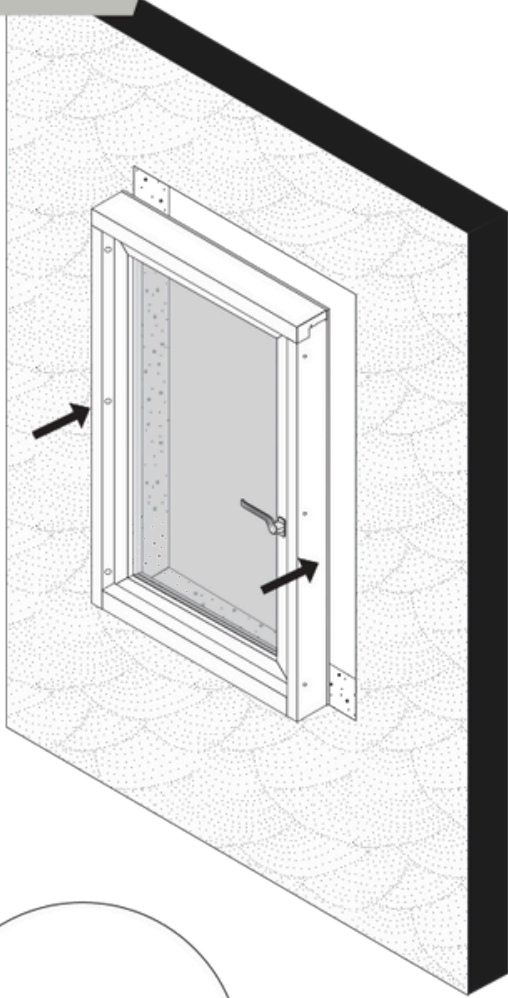
2A

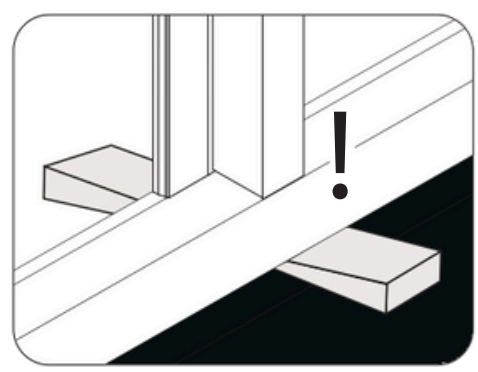
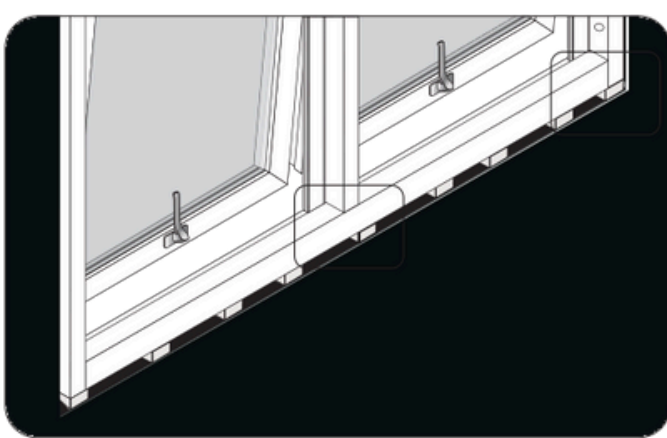
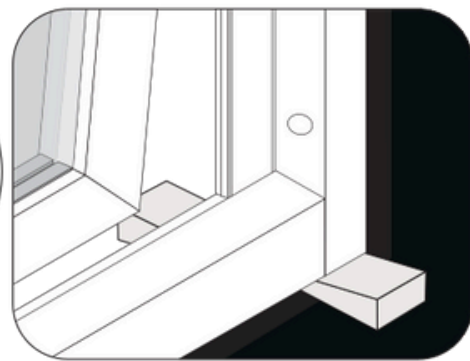
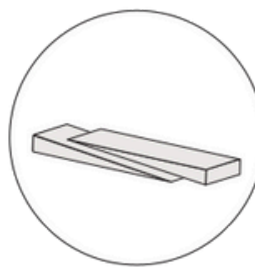
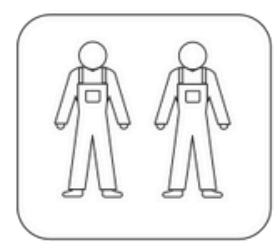
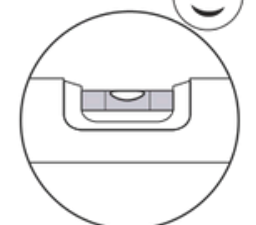
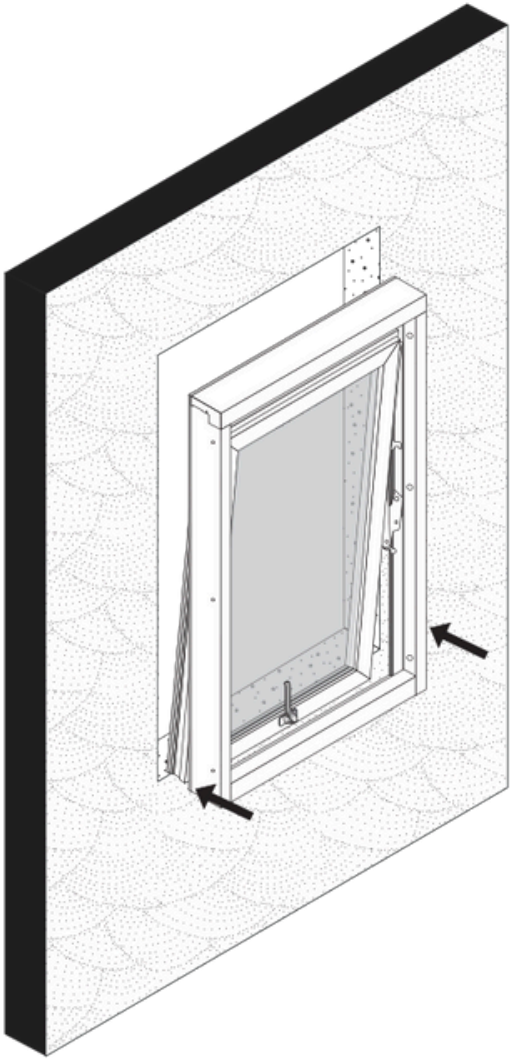


2B

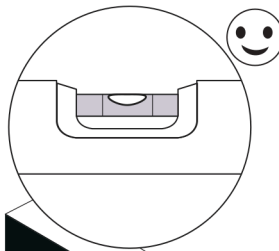
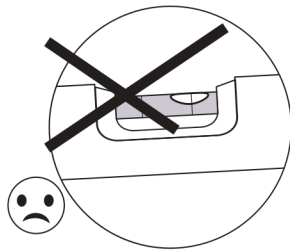
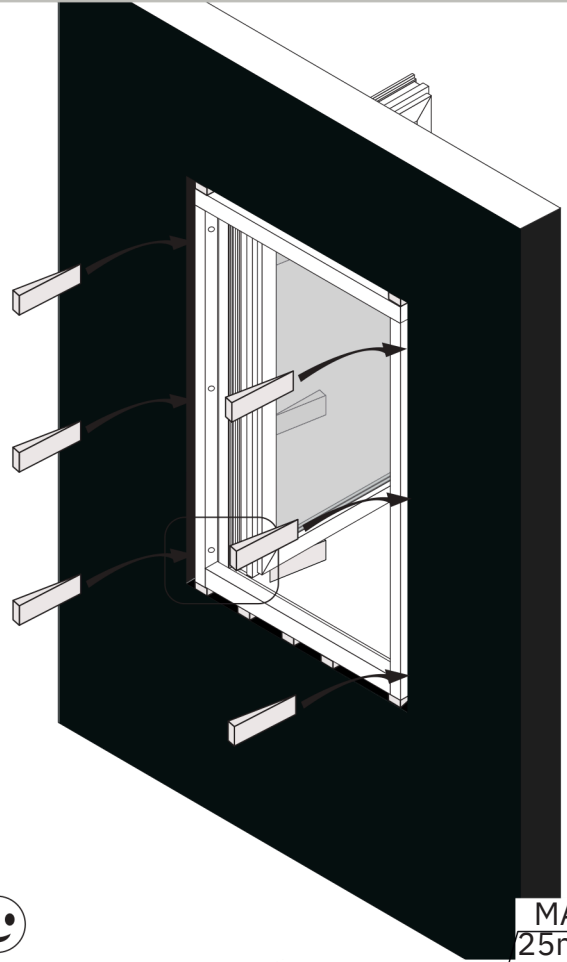
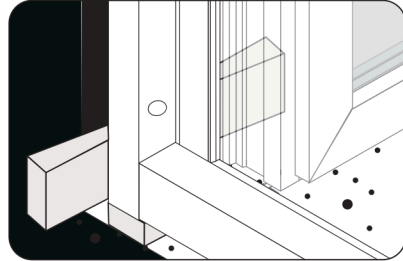
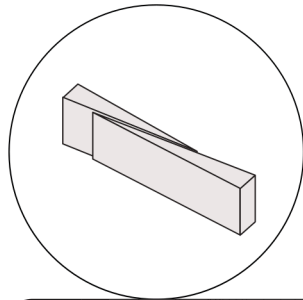
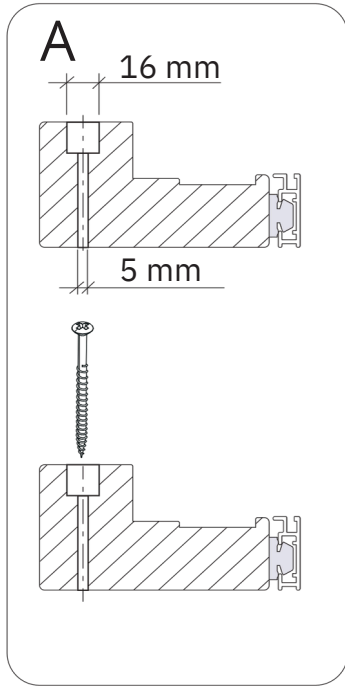
2C



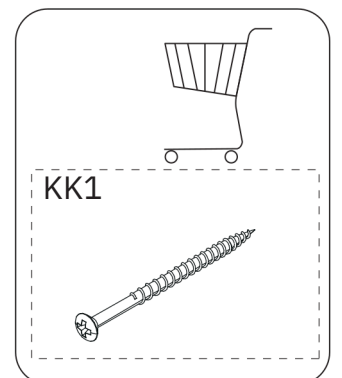
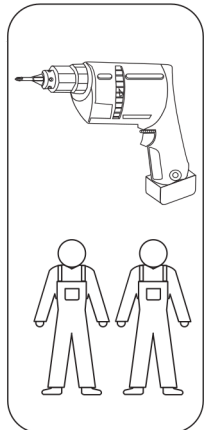
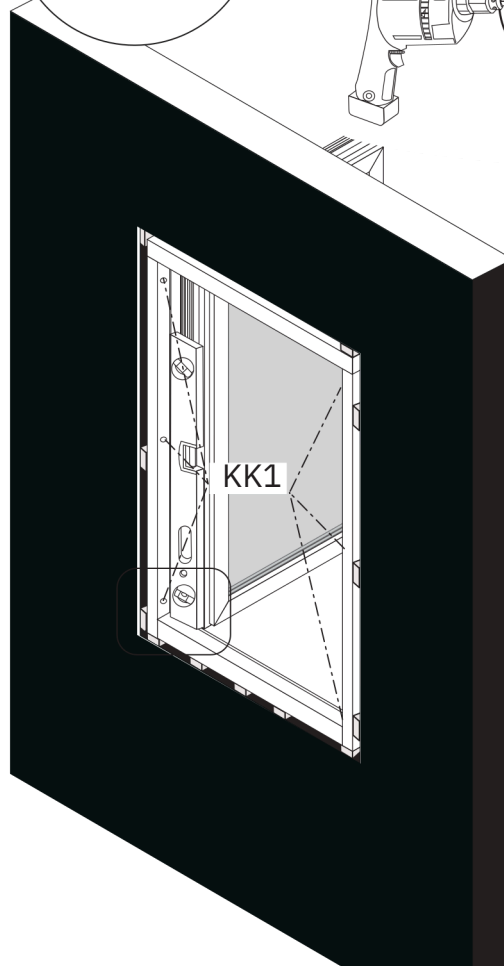
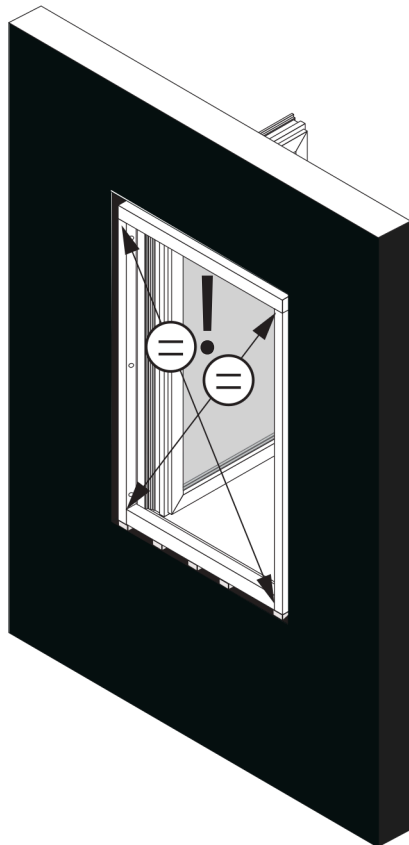
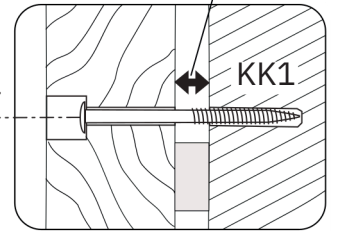




4A



MAX
25mm!

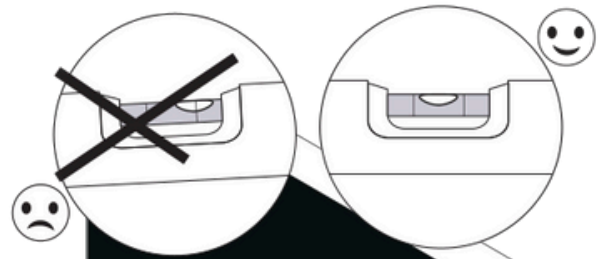
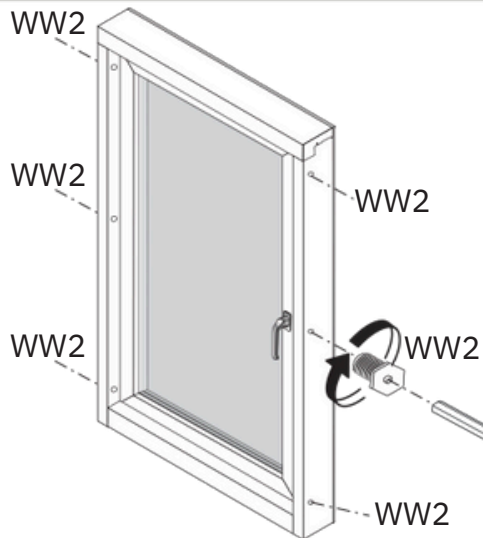


4B

B

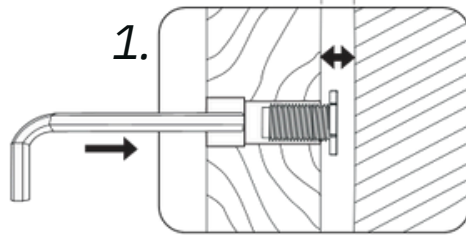
16 mm

14 mm

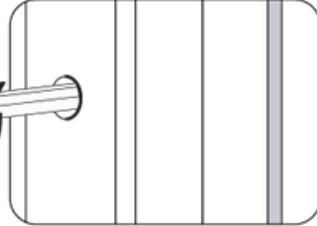


max 10mm

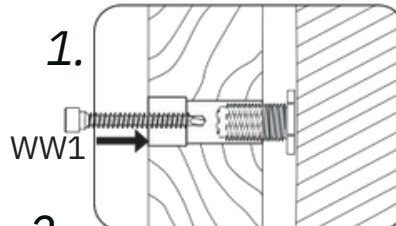
1.



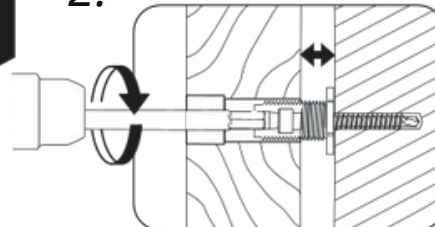
2.



1.



2.

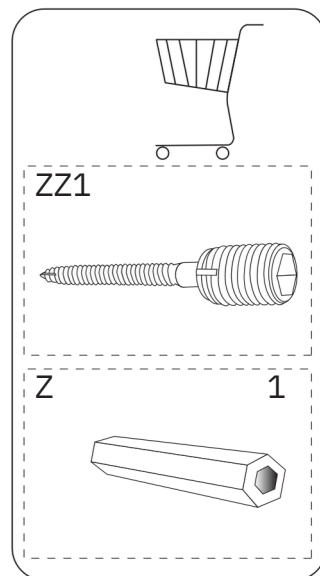
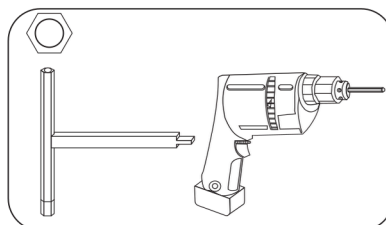
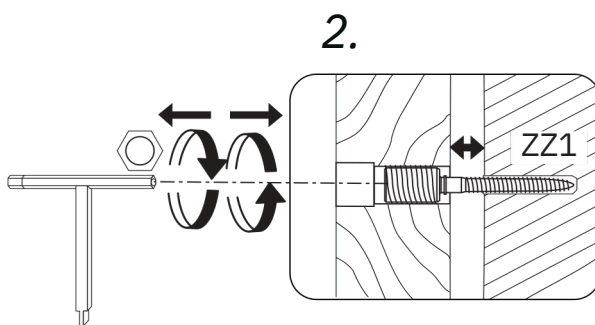
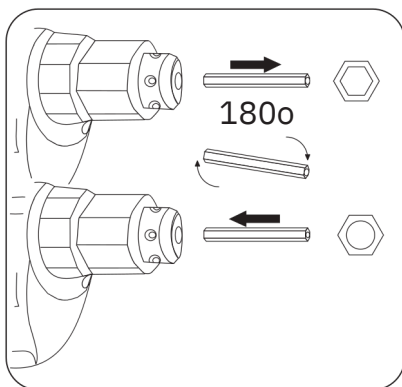
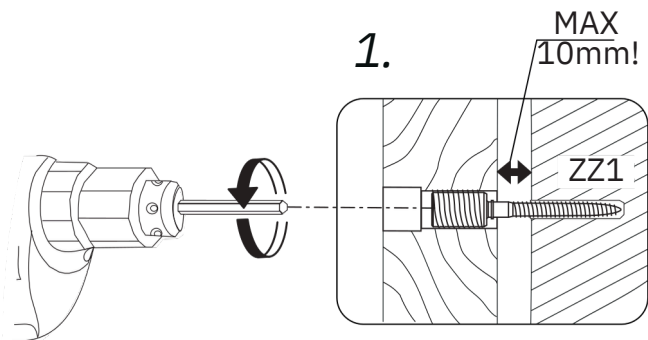
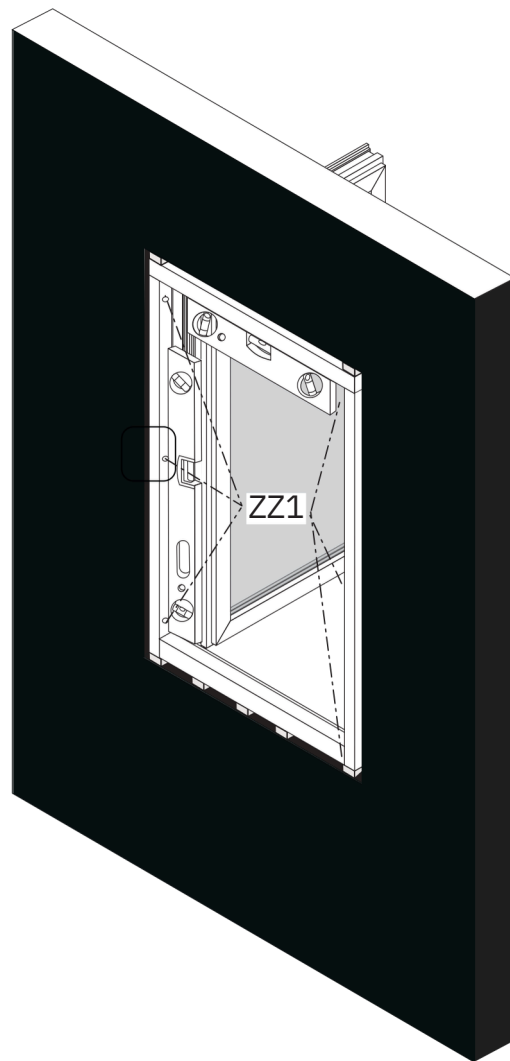
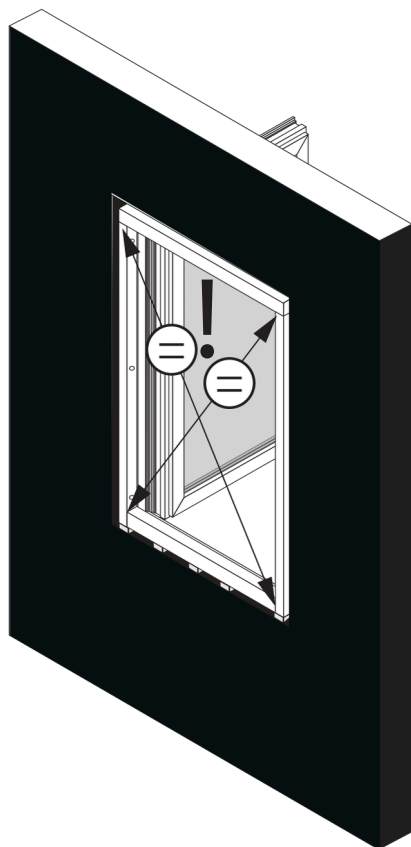
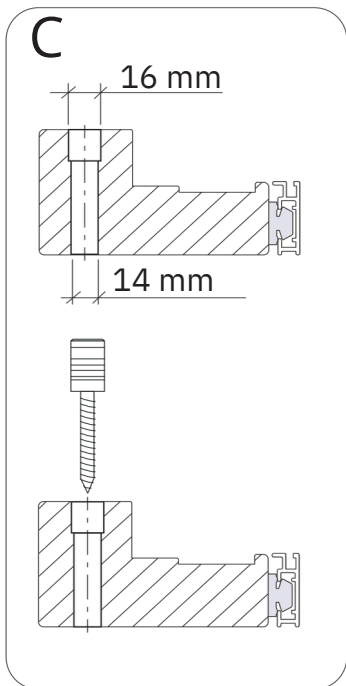
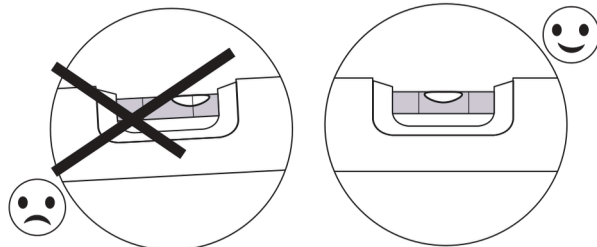


WW1

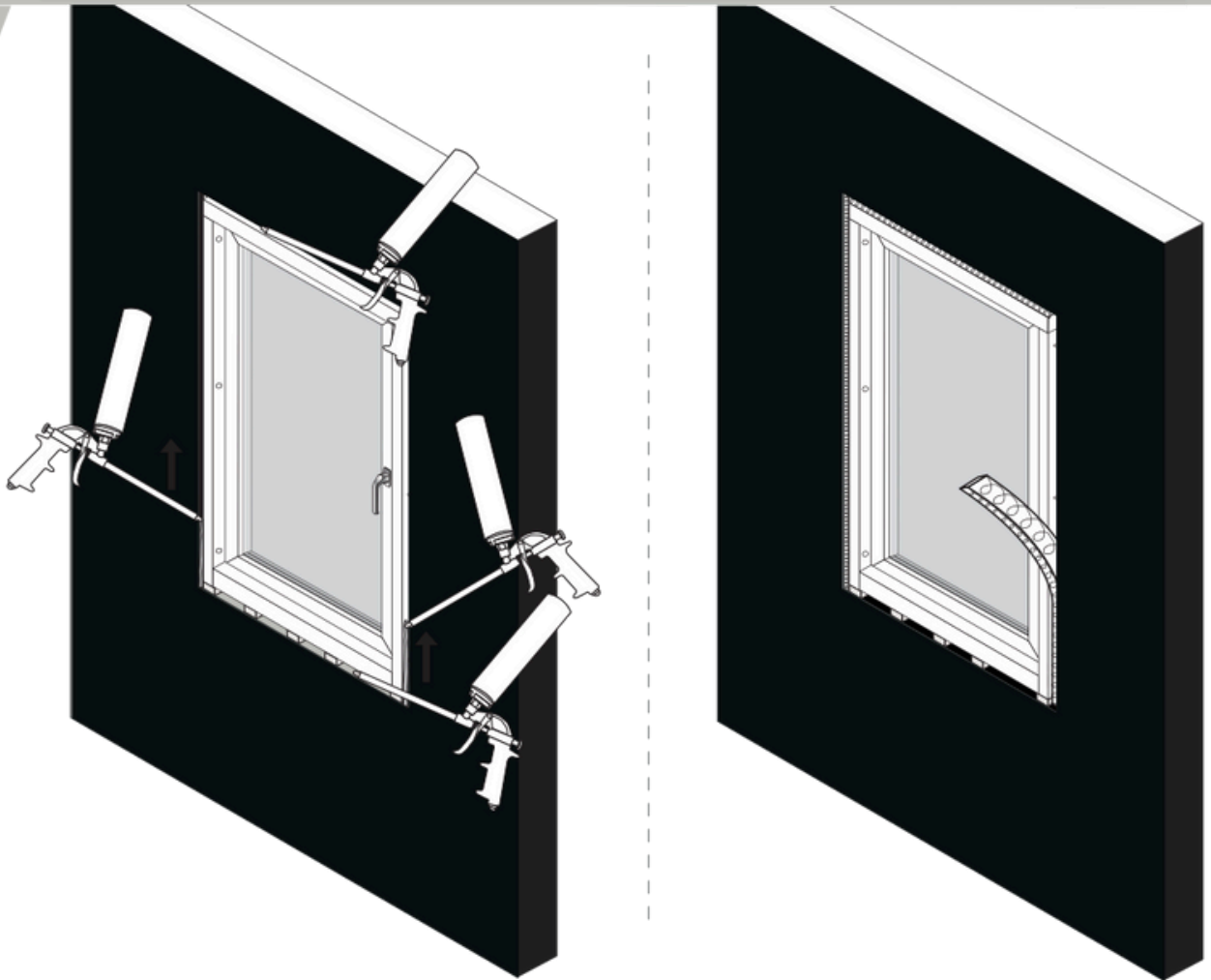
WW2

8,0mm

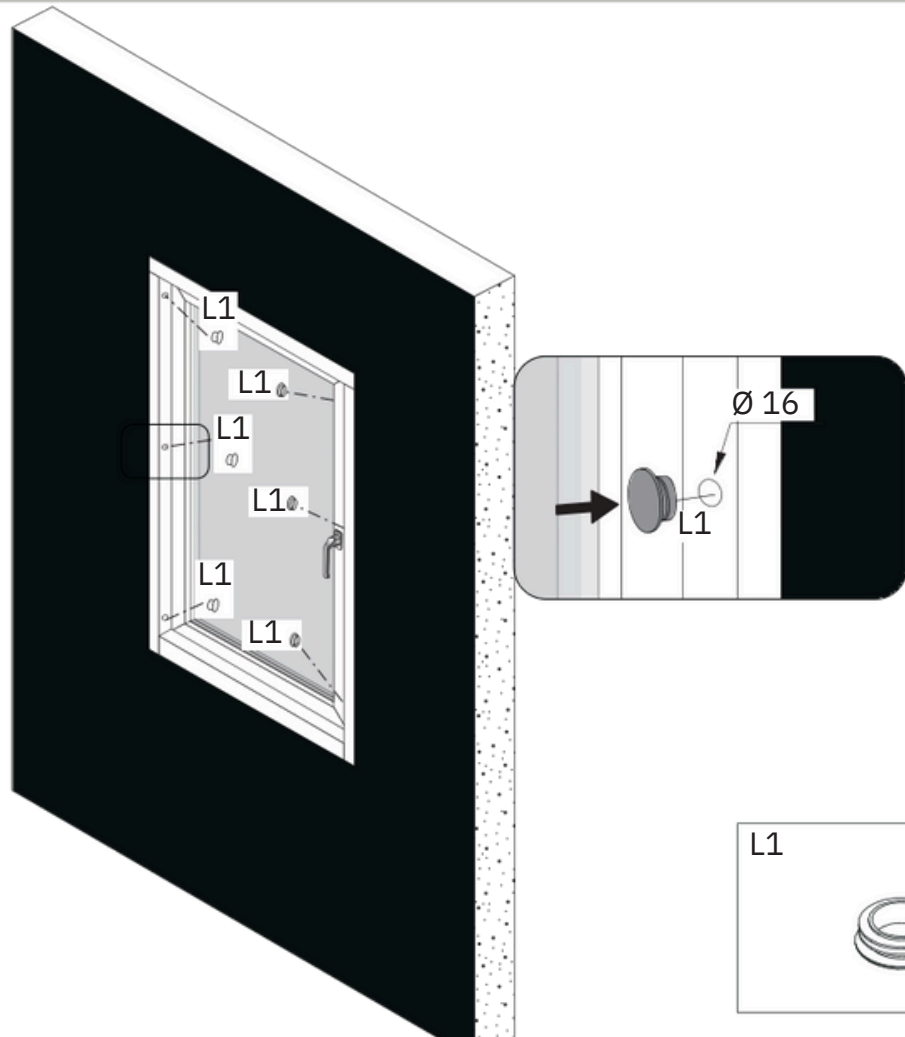
10,0mm

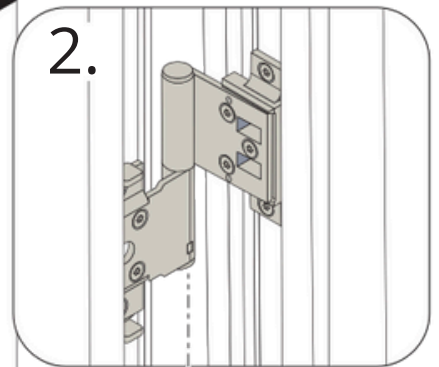
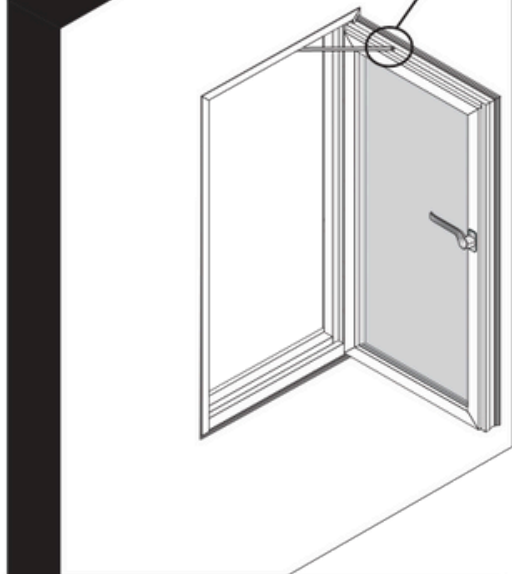
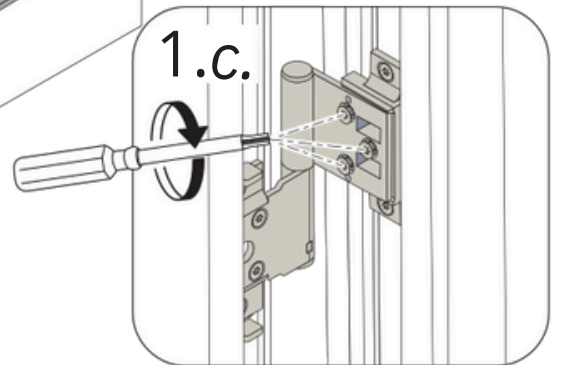
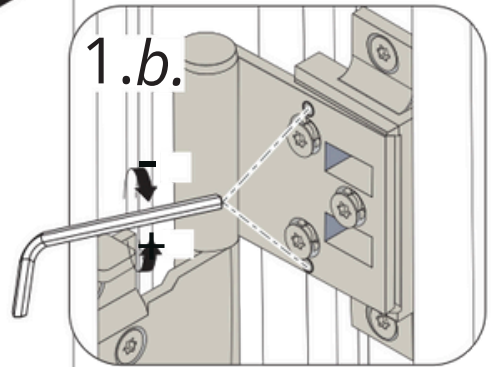
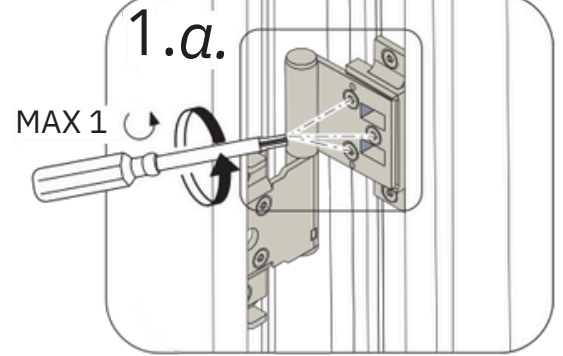
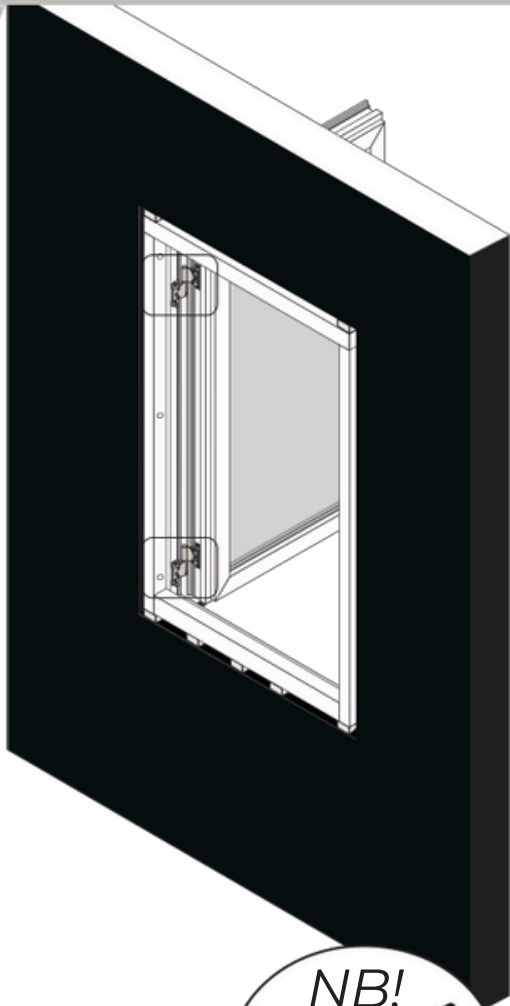


5

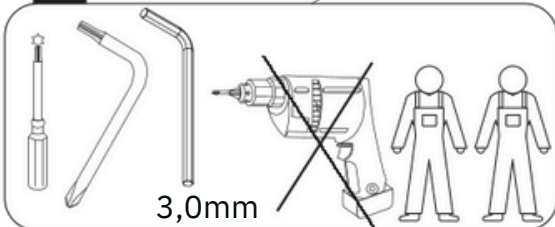


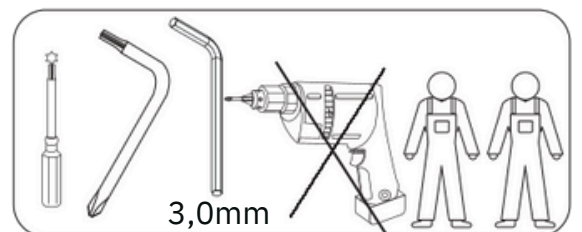
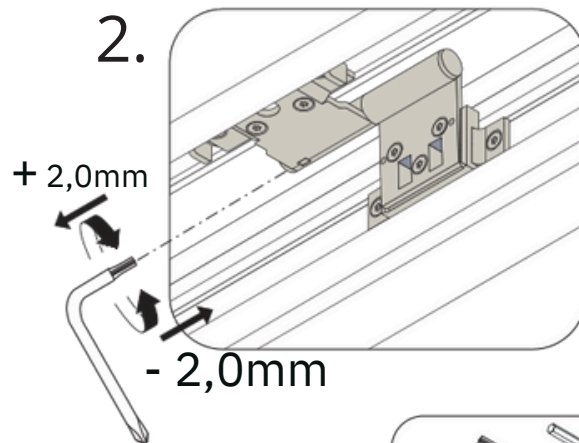
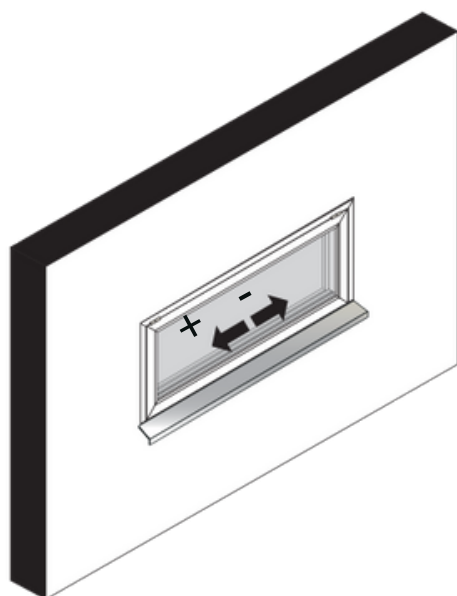
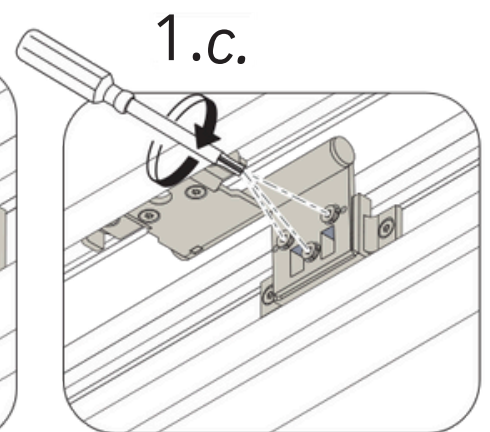
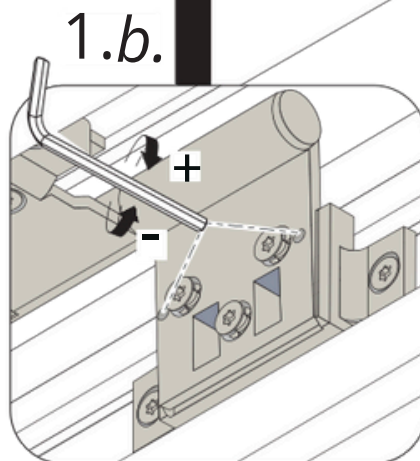
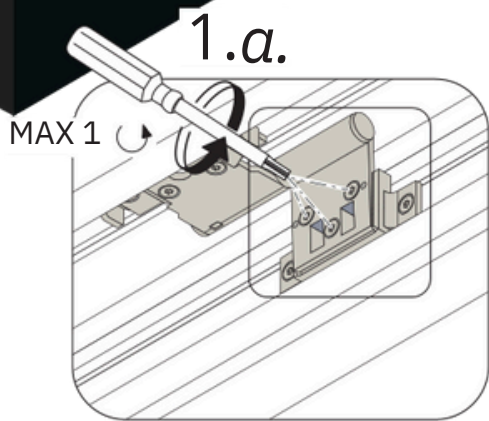
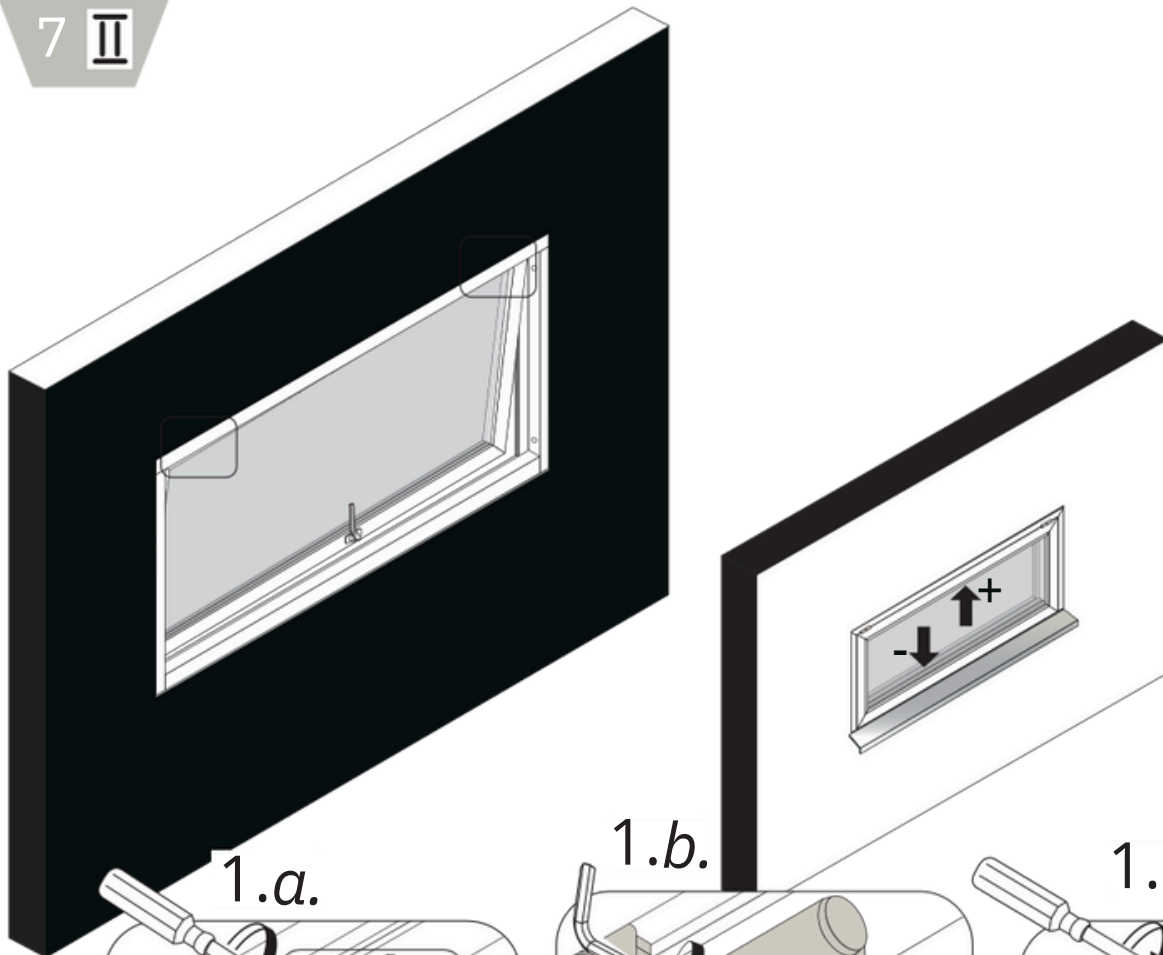
6

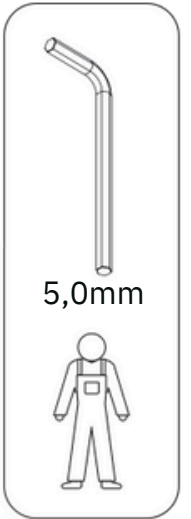
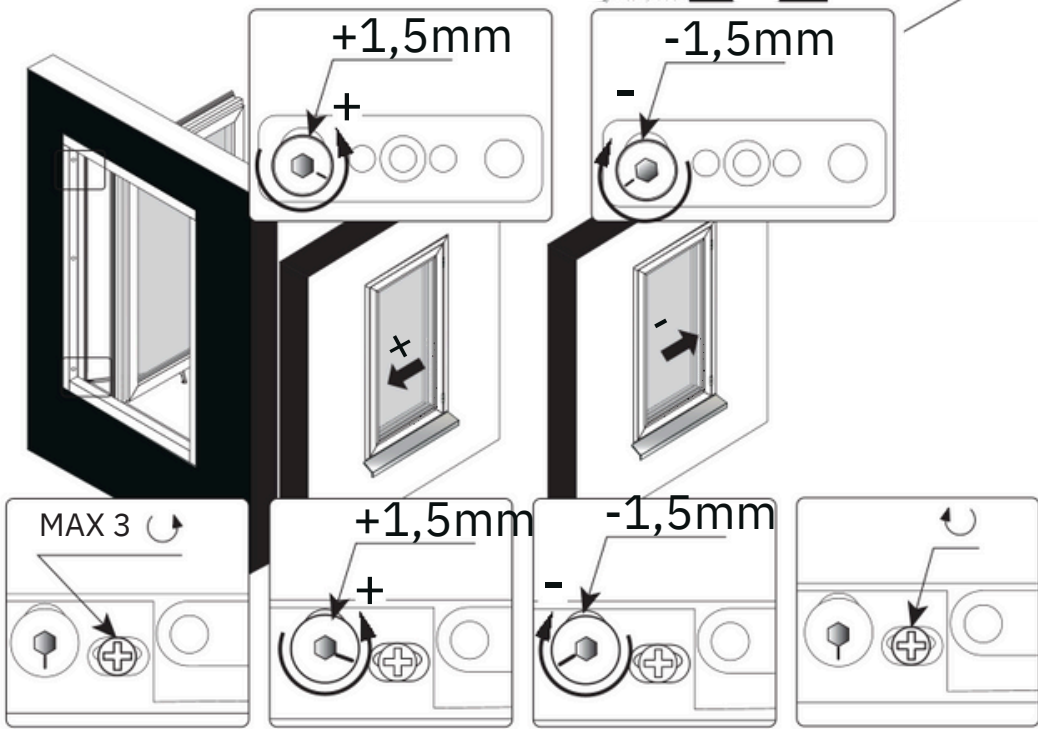
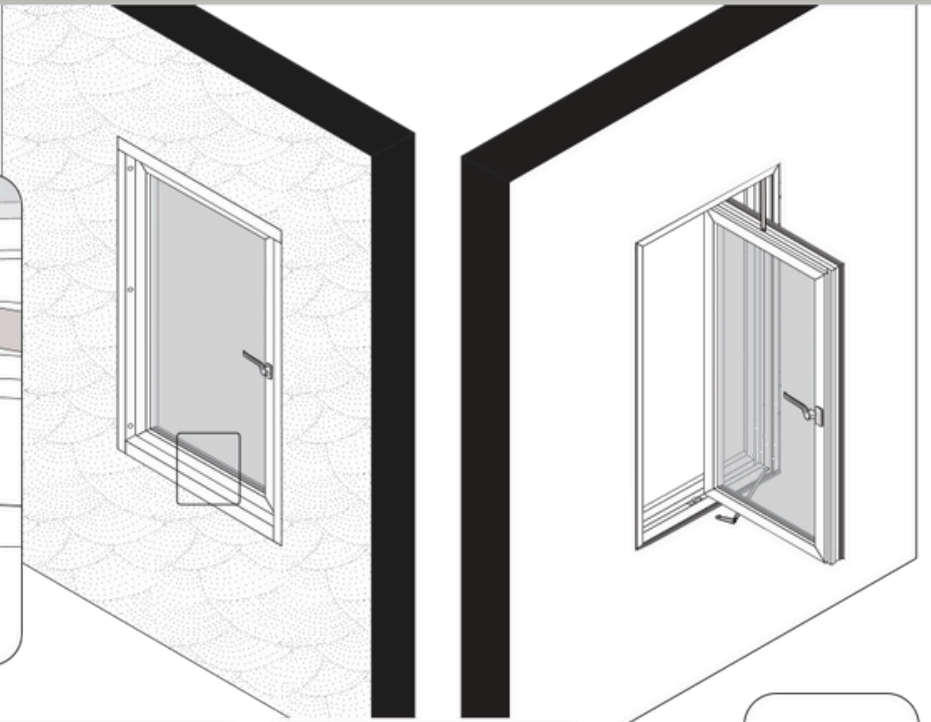
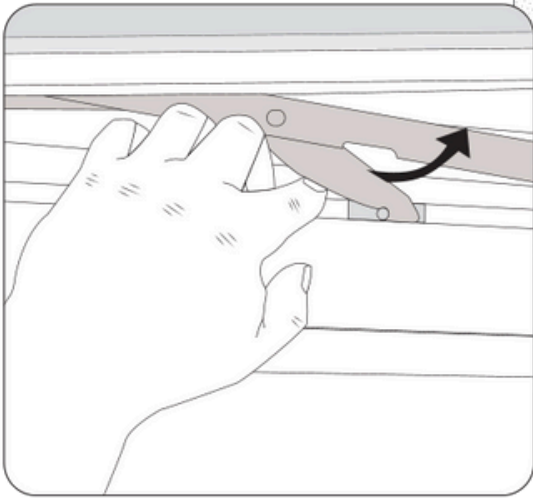


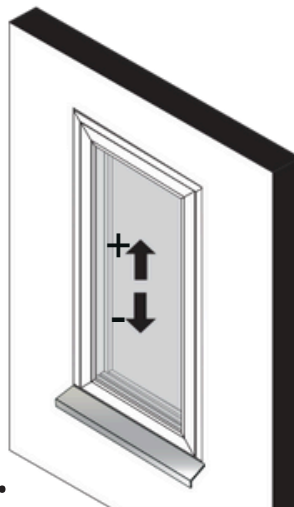
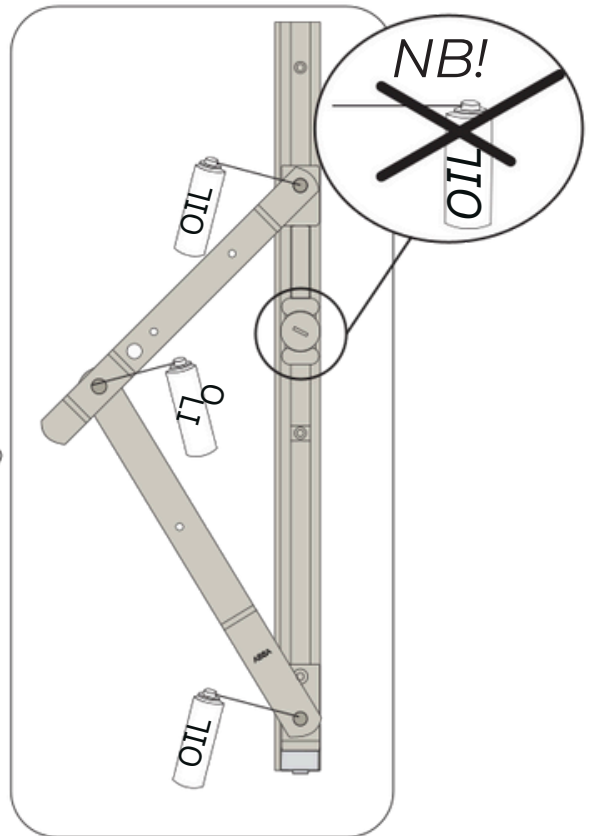
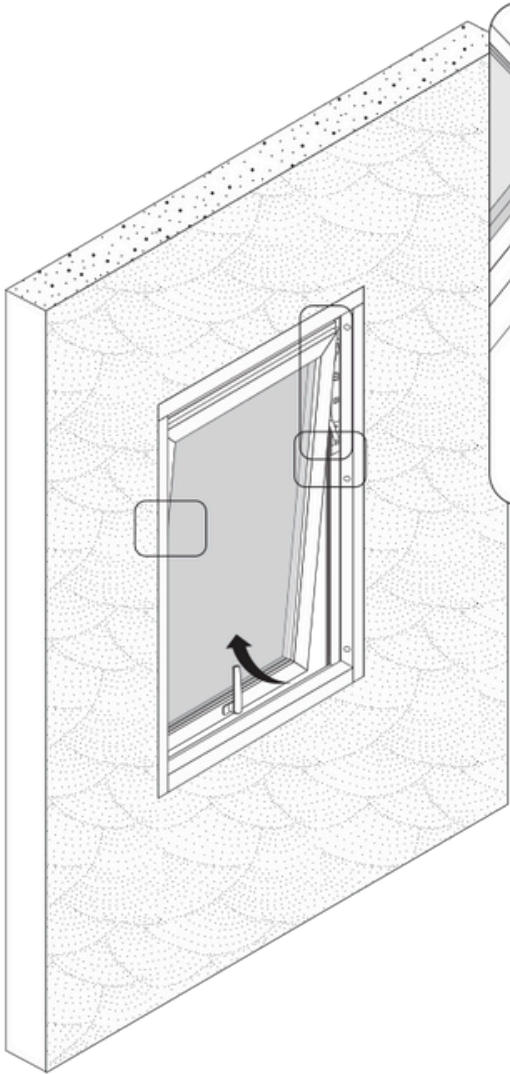


+ 2,0mm ↑
↓ - 2,0mm





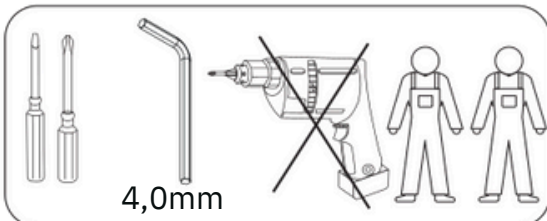
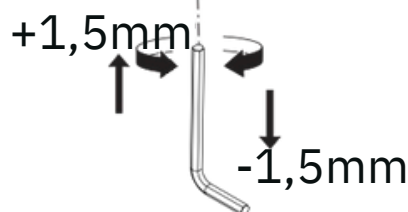
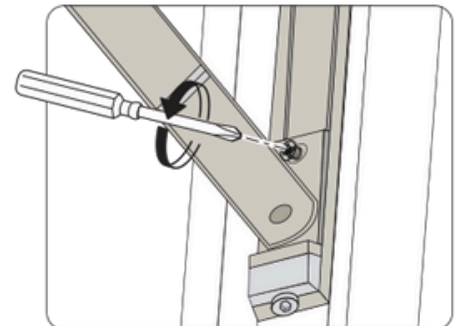
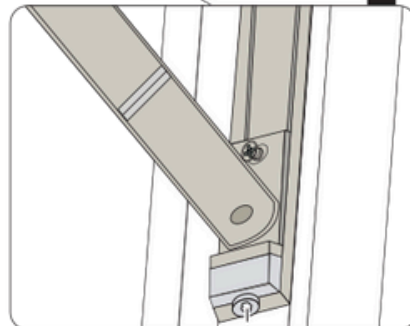
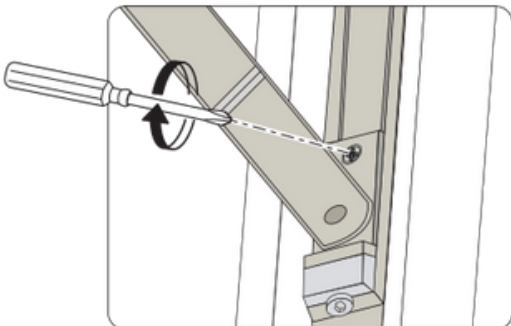




1.

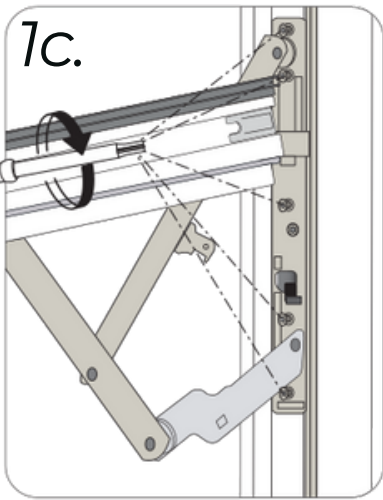
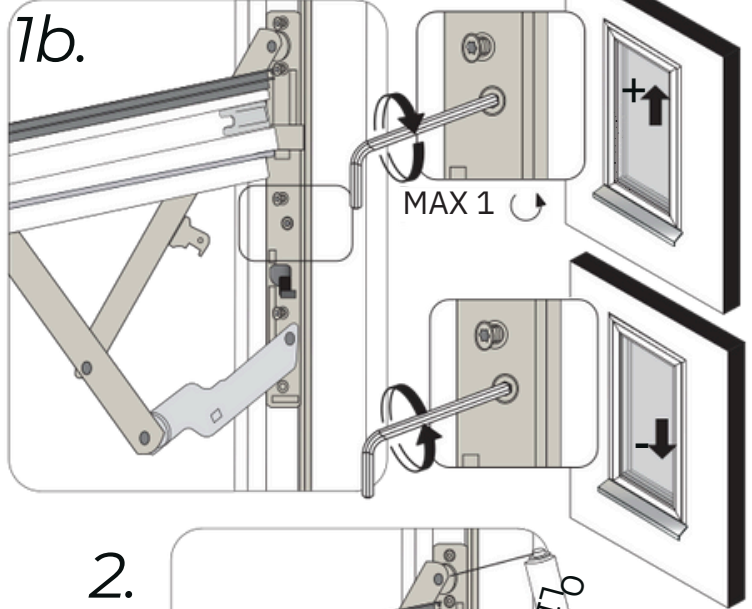
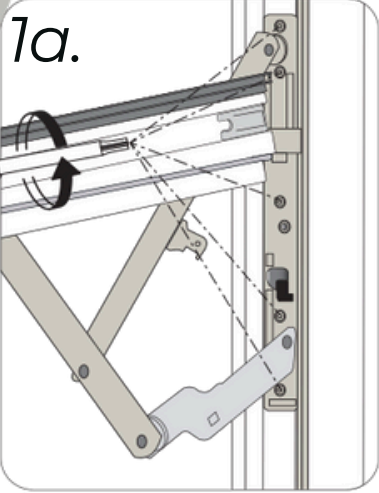
2.

3.

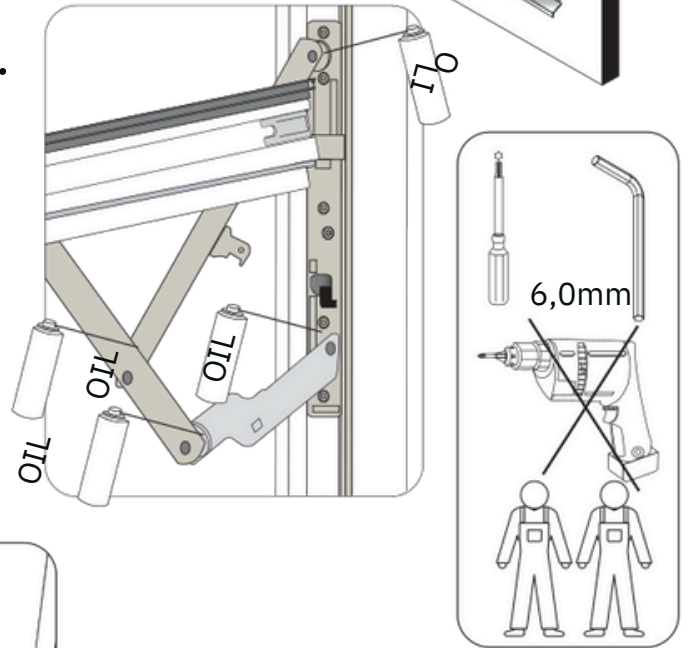


4,0mm

7 **V**



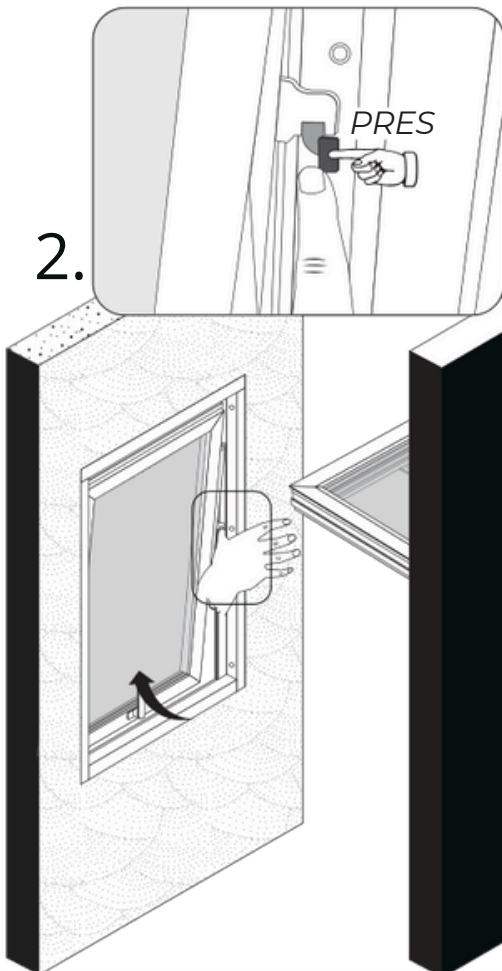
2.



1.



2.



3.



4.

